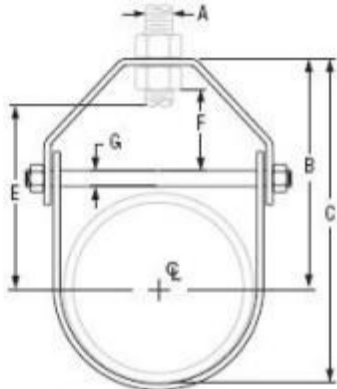


Pipe Size  $\frac{1}{2}$ " to  $\frac{3}{4}$ "



Pipe Sizes 1" and Larger